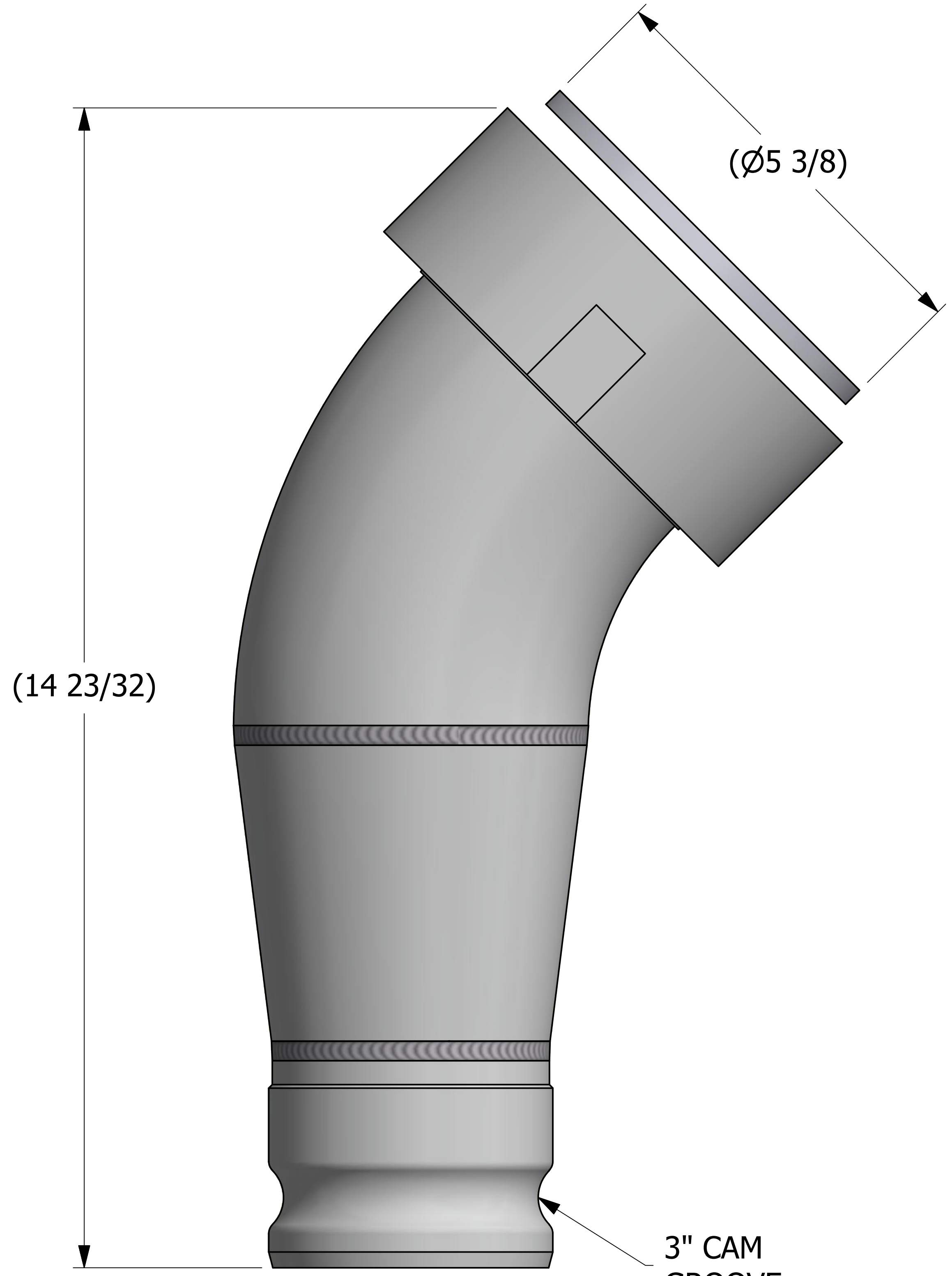


SALES DRAWING SALES DRAWING

SALES DRAWING SALES DRAWING



NOTE:
GASKET MATERIAL IS FDA WHITE NITRILE.

REV	BY	DATE	DESCRIPTION
C	WEB	1-28-19	UPDATED WELD NOTE, ADDED TESTING NOTE, SORTED BOM, ADDED NOTE 5
B	TAK	7-18-13	REPLACED U44A4FM1108 ELBOW WITH U44A4FM1101
A	CHL	8-15-07	NEW PART ADDED TO SYSTEM

<small>UNLESS OTHERWISE SPECIFIED DIMENSIONAL TOLERANCES</small> FRACTIONAL: ±1/16 X.XX: ±.03 X.XXX: ±.015 ANGULAR: ±1° DEBURR ALL SHARP EDGES. ALL MACHINED SURFACES TO HAVE A 125 RMS FINISH UNLESS NOTED OTHERWISE. <small>THIRD ANGLE PROJECTION</small>	DRAWN BY:	CHL
	CHECKED BY:	PJG
	PROTOTYPE BY:	CHL
	PROTOTYPE DATE:	8/15/2007
	APPROVED FOR PRODUCTION BY:	PJG
	PRODUCTION DATE:	8/15/2007

SALCO PRODUCTS, INC.

ELBOW 4"X3" 45°

MATERIAL: ALUMINUM

PROJECT #: **WAG0456** SHEET #: **1 OF 1** SCALE: **1:1**

DRAWING #: **D23981** PART #: **U43A4FM1502**

THIS PRINT, PROPERTY OF SALCO PRODUCTS INC. CONTAINS PROPRIETARY INFORMATION AND MUST NOT BE COPIED, REPRODUCED, OR USED DETRIMENTALLY TO OUR INTEREST.